

Oil/Gas Heating Technology

VITOROND® 200, VD2A/VD2

VIESMANN



Heating Systems ◀

Industrial Systems

Refrigeration Systems

Vitorond 200, VD2A/VD2 - 490 to 1096 MBH/1255 to 4387 MBH
Oil/gas technology for efficient, durable and reliable commercial heating



Vitorond 200 cast iron section

The Vitorond 200 boiler is a reliable, durable and efficient commercial heating solution. The boiler's sectional, triple-pass design, combined with a special Eutectoplex heat exchanger surface ensures easy installation, economical energy consumption, high operational reliability and a long service life. The bottom line: fast investment recovery through maximum savings in fuel and maintenance costs.

Efficient

Featuring efficiencies of up to 85.5% for gas and 88.1% for oil, this highmass, high-volume cast iron boiler stores thermal energy and eliminates inefficient system cycling. The Vitorond 200 boiler's triple-pass design, combined with heat-resistant steel turbulators placed in each flue gas passageway, ensures maximum heat transfer throughout the cast iron block. Superior insulation minimizes standby losses and maximizes energy and cost savings. Design-matched Viessmann system controls ensure that the entire heating system is consistently operating at maximum efficiency.

Durable and Reliable

The cast iron sections of the Vitorond 200 consist of a homogeneous, special gray cast iron. The resulting uniform heat transfer eliminates stress fractures. The material, shape and geometry of the sections, combined with production methods at the factory, eliminate any inherent stresses. These factors combine to achieve the utmost in product reliability and serve to minimize repair bills and overall lifecycle cost.

Easy handling and installation

The Vitorond 200 boiler may be delivered in individual sections and assembled in the field using a draw tool provided by Viessmann. This allows easy transportation into the most difficult-to-access boiler rooms. Upon request, the Vitorond 200 boiler up to size VD2A-270 can be delivered fully assembled. In addition, the Vitorond 200 accommodates a left- or right-swing combustion chamber door to best suit any boiler room layout and multiple boiler installations.



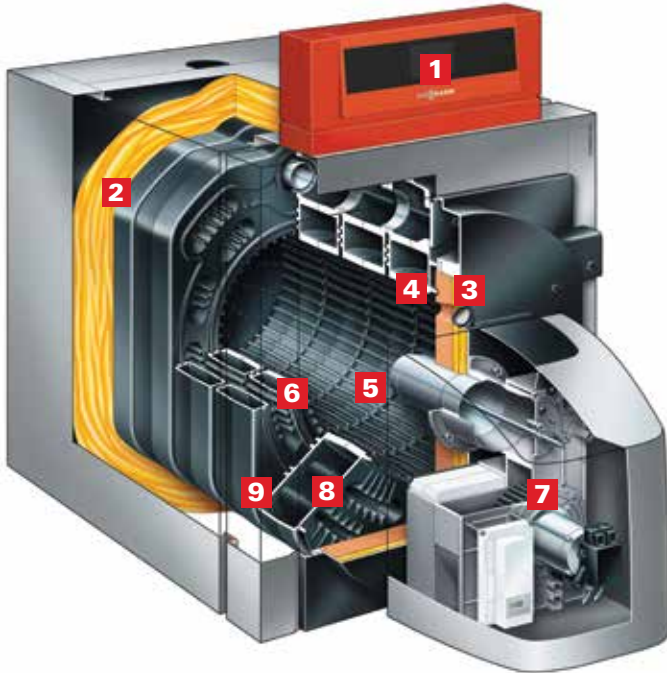
Vitorond 200 VD2



Vitorond 200 VD2A



Vitorond 200 VD2A



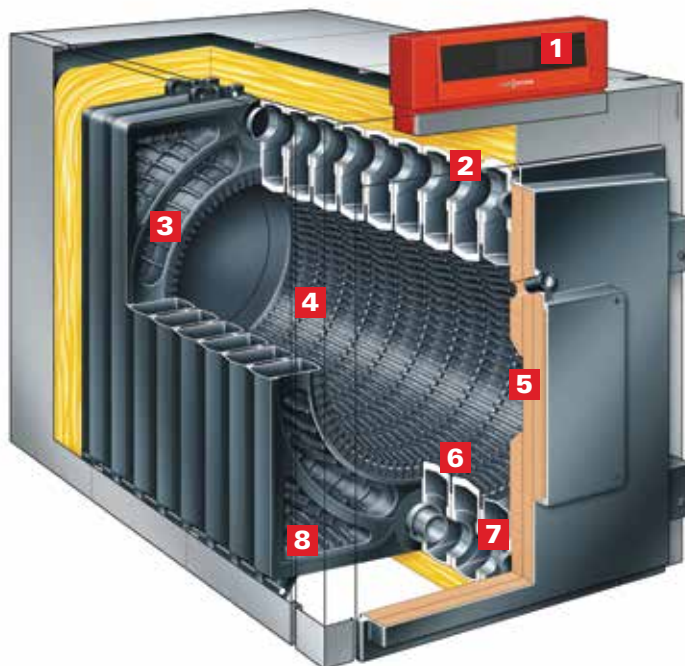
Product may not look exactly as illustrated

- 1** Viessmann System Control
- 2** Highly effective insulation
- 3** Ceraboard combustion chamber door insulation
- 4** Eutectoplex heat exchanger surface made of special gray cast iron
- 5** Combustion chamber
- 6** Second pass
- 7** Oil burner
- 8** Third pass
- 9** Wide water passageways

Benefits at a glance

- Efficient and reliable operation.**
 Modulated boiler water temperatures help conserve energy by closely matching system output to actual demand. Viessmann system controls ensure consistent, maximum system efficiency. Combustion efficiency up to: 85.5% for gas and 88.1% for oil. Thermal efficiency up to: 85.4% for gas and 88% for oil.
- High operational reliability and a long service life** are achieved by the special Eutectoplex gray cast iron heat exchanger. A uniform heat transfer and controlled water flow, together with inherent characteristics of the cast iron sections eliminate stress fractures and extend the lifecycle of the boiler.
- Problem-free transport** into difficult-to-access boiler rooms thanks to sectional construction and low weight. The Fastfix system facilitates a quick and easy installation.
- Low environmental impact** thanks to low-emission combustion achieved by the boiler's triple-pass design.
- Problem-free cleaning access** facilitated by a hinged left- or rightswing combustion chamber door providing easy access to all three flue gas passageways from the front of the boiler, reducing side clearance.
- VD2A features reduced investment cost** with new Therm-Control integrated low-temperature protection logic and return water distribution system for a simplified design and system integration. Low temperature protection package no longer required.
- Comprehensive standard equipment** saves valuable time in installation and sourcing of product. The supply and return header system is pre-built for left or right connections and positions components properly.
- Consistent and reliable DHW supply** through integration with Viessmann indirect-fired stainless steel domestic hot water tanks.

Vitorond 200 VD2



Product may not look exactly as illustrated

- 1** Viessmann System Control
- 2** Highly effective insulation
- 3** Second pass
- 4** Combustion chamber
- 5** Ceraboard combustion chamber door insulation
- 6** Eutectoplex heat exchanger surface made of special gray cast iron
- 7** Wide water passageways
- 8** Third pass

VITOROND 200 (oil-fired/gas-fired sectional cast iron boiler)

Model	VD2A		125	160	195	230	270
Rated input (oil)	MBH kW		490 144	628 184	765 224	902 264	1059 310
Rated input (gas)	MBH kW		508 149	650 190	792 232	934 274	1096 321
Rated output (oil/gas) [†]	MBH kW		433 127	553 162	672 197	794 232	932 272
Combustion efficiency (oil)	%		87.7	87.3	87.3	87.3	87.3
Combustion efficiency (gas)	%		84.7	84.8	84.8	84.8	84.8
Thermal efficiency (oil)	%		87.9	87.6	87.4	87.3	87.2
Thermal efficiency (gas)	%		85.2	85.1	84.8	84.8	84.7
Dimensions (with insulation jacket)	Total Length	inches mm	35 ^{3/4} 905	42 ^{1/2} 1075	49 1240	55 ^{1/2} 1410	62 ^{1/4} 1580
	Total Width	inches mm	40 ^{1/2} 1030	40 ^{1/2} 1030	40 ^{1/2} 1030	40 ^{1/2} 1030	40 ^{1/2} 1030
	Total Height	inches mm	58 ^{1/2} 1485	58 ^{1/2} 1485	58 ^{1/2} 1485	58 ^{1/2} 1485	58 ^{1/2} 1485
Weight (including insulation control)	lbs kg		1201 545	1441 655	1675 760	1874 850	2127 965
Boiler water content	USG ltrs		32 122	41 154	49 186	57 217	66 249

Model	VD2		320	380	440	500	560	630
Rated input (oil)	MBH kW		1255 368	1490 436	1726 506	1961 574	2196 643	2471 724
Rated input (gas)	MBH kW		1300 381	1544 452	1787 523	2031 595	2275 666	2559 750
Rated output (oil/gas) [†]	MBH kW		1110 325	1319 387	1526 447	1732 508	1941 569	2183 640
Combustion efficiency (oil)	%		88.1	88.0	88.0	87.9	87.8	87.8
Combustion efficiency (gas)	%		85.5	85.4	85.4	85.3	85.2	85.1
Thermal efficiency (oil)	%		88.0	88.0	88.0	88.0	88.0	87.9
Thermal efficiency (gas)	%		85.4	85.4	85.4	85.3	85.3	85.3
Dimensions (with insulation jacket)	Total Length	inches mm	58 ^{3/4} 1490	63 ^{3/4} 1620	68 ^{3/4} 1750	73 ^{3/4} 1870	78 ^{3/4} 2000	83 ^{3/4} 2130
	Total Width	inches mm	49 ^{1/4} 1250	49 ^{1/4} 1250	49 ^{1/4} 1250	49 ^{1/4} 1250	49 ^{1/4} 1250	49 ^{1/4} 1250
	Total Height	inches mm	50 ^{3/4} 1290	50 ^{3/4} 1290	50 ^{3/4} 1290	50 ^{3/4} 1290	50 ^{3/4} 1290	50 ^{3/4} 1290
Weight (including insulation control)	lbs kg		3924 1780	4299 1950	4652 2110	4982 2260	5335 2420	5666 2570
Boiler water content	USG ltrs		65 247	73 275	80 303	87 331	95 359	102 387

Model	VD2		700	780	860	950	1080
Rated input (oil)	MBH kW		2745 804	3059 896	3373 988	3727 1091	4236 1241
Rated input (gas)	MBH kW		2843 833	3168 928	3493 1023	3860 1130	4387 1285
Rated output (oil/gas) [†]	MBH kW		2425 711	2699 791	2976 872	3288 963	3738 1095
Combustion efficiency (oil)	%		87.7	87.6	87.5	87.4	87.3
Combustion efficiency (gas)	%		85.1	85.0	84.9	84.8	84.6
Thermal efficiency (oil)	%		87.9	87.9	87.9	87.8	87.8
Thermal efficiency (gas)	%		85.3	85.2	85.2	85.2	85.2
Dimensions (with insulation jacket)	Total Length	inches mm	89 2260	93 ^{3/4} 2380	98 ^{3/4} 2510	104 2640	108 ^{3/4} 2760
	Total Width*	inches mm	49 ^{1/4} 1250	49 ^{1/4} 1250	49 ^{1/4} 1250	49 ^{1/4} 1250	49 ^{1/4} 1250
	Total Height*	inches mm	50 ^{3/4} 1290	50 ^{3/4} 1290	50 ^{3/4} 1290	50 ^{3/4} 1290	50 ^{3/4} 1290
Weight (including insulation control)	lbs kg		6019 2730	6349 2880	6702 3040	7070 3210	7429 3370
Boiler water content	USG ltrs		110 415	117 443	124 471	132 499	139 527



Technical information subject to change without notice.

5285 666 - 02 09/2017
Printed in USA

*Dimensions with center-mounted NR2 control. See Technical Data Manual for dimensions with Dekamatik or KR control.

† Output ratings are based on the IBR BTS-2000 "method to determine efficiency of commercial space heating boilers".

Viessmann Manufacturing Company (U.S.) Inc.
Warwick, RI U.S.A.
1-800-288-0667
viessmann.com